



APPEARANCE :

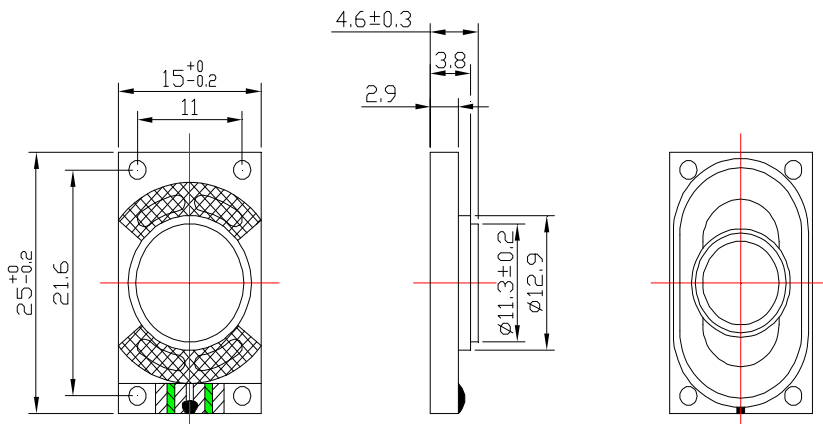


# SPECIFICATION

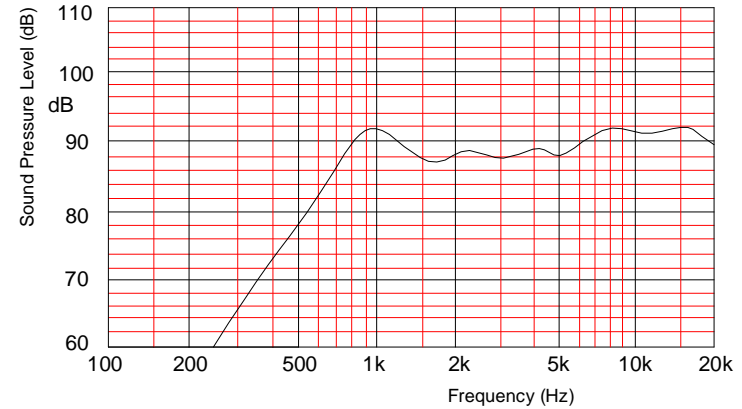
## Electrical and Acoustic Characteristics.

Dimensions	25x15x4.6mm
AC Impedance	8±15%Ω at 2000Hz
Rated Input Power	1.5W
Max. input power	2.0W
Resonance Frequency	750±20%Hz
Output Sound Pressure Level	87±3dB/0.1M 0.1W at 0.8,1.0,1.2,1.5KHz Average
Frequency Response	Fo~20KHz
Operating Temperature	-20~+65℃
Storage Temperature	-30~+70℃

DIMENSIONS :



FREQUENCY RESPONSE :



<small>UNLESS OTHERWISE SPECIFIED DIMENSION ARE IN MILLIMETER AND (INCHES)</small>  <small>DECIMALS      ANGLES</small> <small>.XX    +0.50    (0.02)</small> <small>.XXX:0.025    (0.001)    ±1°</small> <small>DO NOT SCALE DRAWING</small>	MATERIAL SILICONE RUBBER 60°		TIANER TECHNOLOGY CO., LTD. <a href="http://www.itianer.com">http://www.itianer.com</a>		
	FINISH BLACK		TITLE Notebook Speaker		
	DWN BY	DATE	UNIT mm	DWG NO/ PART NO TE-DL1525A-8H4.6	REV 01
	CHK BY	DATE	SCALE 5:1	RELEASE DATE 2009/12/27	SHEET
THIRD ANGLE PROJEC TION	DESIGN J.M.	DATE 09/08/22			

A

B

C

D

E

F

A

B

C

D

E

F

1

2

3

4

5

6

7

8

1

2

3

4

5

6

7

8