



APPEARANCE :

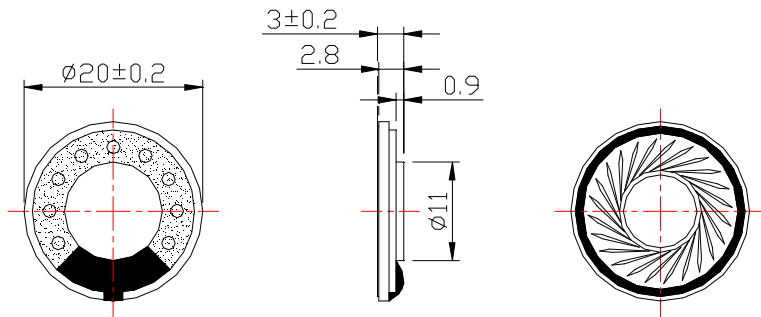


# SPECIFICATION

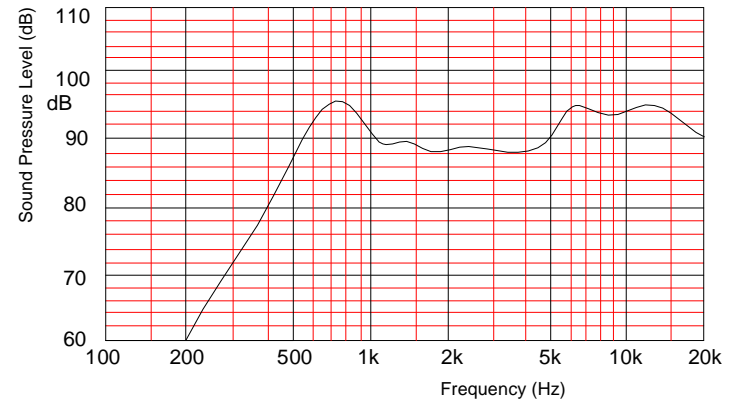
Electrical and Acoustic Characteristics.

Dimensions	20x3.0mm
AC Impedance	$8 \pm 15\% \Omega$ at 2000Hz
Rated Input Power	0.5W
Max. input power	1.0W
Resonance Frequency	$800 \pm 20\%$ Hz
Output Sound Pressure Level	$92 \pm 3$ dB/0.1M 0.1W at 0.8,1.0,1.2,1.5KHz Average
Frequency Response	Fo~20KHz
Operating Temperature	-20~+65°C
Storage Temperature	-30~+70°C

DIMENSIONS :



FREQUENCY RESPONSE :



<small>UNLESS OTHERWISE SPECIFIED DIMENSION ARE IN MILLIMETER AND (INCHES)</small>  <small>DECIMALS      ANGLES</small> <small>.XX    +0.50    (0.02)</small> <small>.XXX:0.025    (0.001)    ±1°</small> <small>DO NOT SCALE DRAWING</small>	MATERIAL SILICONE RUBBER 60°		TIANER TECHNOLOGY CO., LTD. <a href="http://www.itianer.com">http://www.itianer.com</a>		
	FINISH BLACK		TITLE <b>Mylar Speaker</b>		
	DWN BY	DATE	UNIT mm	DWG NO/ PART NO <b>TE-DM20B-8H3</b>	REV 01
	CHK BY	DATE	DESIGN J.M.	DATE 09/08/22	SCALE 5:1    RELEASE DATE 2009/12/23    SHEET

