



APPEARANCE :

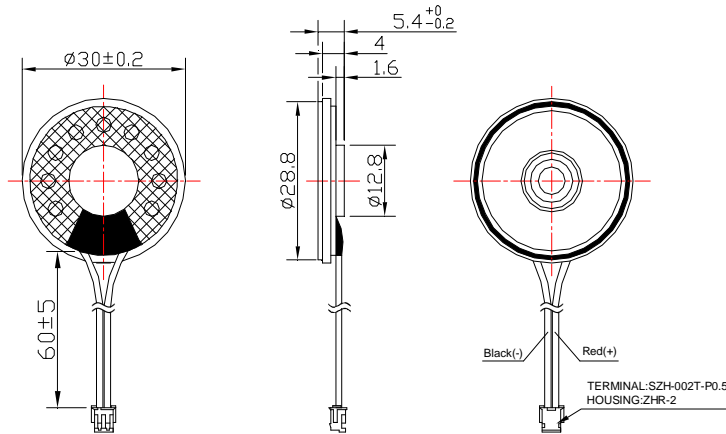


SPECIFICATION

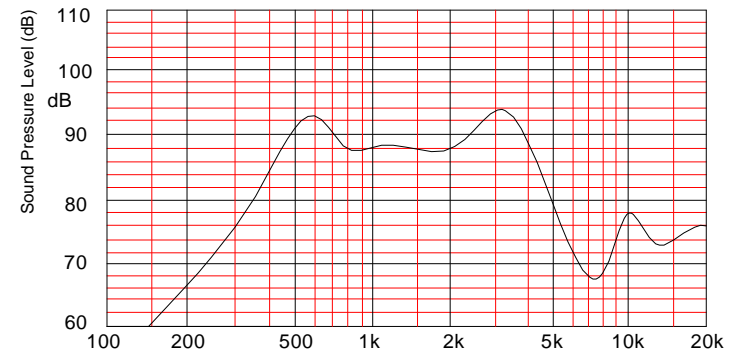
Electrical and Acoustic Characteristics.

Dimensions	30x5.4mm
AC Impedance	$8 \pm 15\% \Omega$ at 2000Hz
Rated Input Power	1.0W
Max. input power	1.5W
Resonance Frequency	$550 \pm 20\%$ Hz
Output Sound Pressure Level	91 ± 3 dB/0.1M 0.1W at 0.8,1.0,1.2,1.5KHz Average
Frequency Response	Fo~5KHz
Operating Temperature	-20~+65°C
Storage Temperature	-30~+70°C

DIMENSIONS :



FREQUENCY RESPONSE :



UNLESS OTHERWISE SPECIFIED DIMENSION ARE IN MILLIMETER AND (INCHES) DECIMALS .XX ±0.50 (0.02) .XXX±0.025 (0.001) ±1° DO NOT SCALE DRAWING	MATERIAL SILICONE RUBBER 60°	TIANER TECHNOLOGY CO., LTD. http://www.itianer.com		
	FINISH BLACK	TITLE Mylar Speaker		
THIRD ANGLE PROJEC TION	DWN BY	DATE	UNIT mm	DWG NO/ PART NO TE-DM30A-8H5.4L060
	CHK BY	DATE	SCALE 5:1	REV 01
	DESIGN J.M.	DATE 09/08/22	RELEASE DATE 2009/12/23	SHEET