

1

2

3

4

5

6

7

8

APPEARANCE :



SPECIFICATION

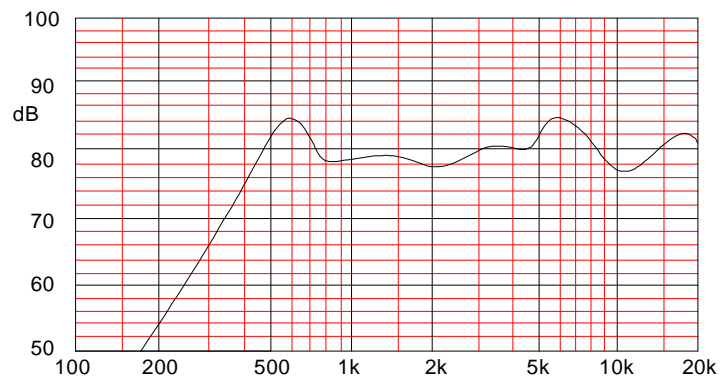
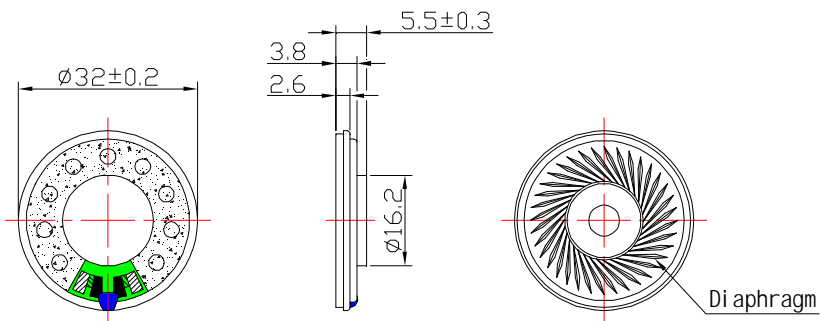
Electrical and Acoustic Characteristics.

Dimensions	32x5.5mm
AC Impedance	8 ± 15% Ω at 2000Hz
Rated Input Power	1.0W
Max. input power	1.5W
Resonance Frequency	630 ± 20%Hz
Output Sound Pressure Level	81 ± 3dB/1M 1W at 0.8,1.0,1.2,1.5KHz Average
Frequency Response	Fo~10KHz
Operating Temperature	-20~+65 °C
Storage Temperature	-30~+70 °C



DIMENSIONS :

FREQUENCY RESPONSE :



<small>UNLESS OTHERWISE SPECIFIED DIMENSION ARE IN MILLIMETER AND (INCHES)</small> <small>DECIMALS ANGLES</small> <small>.XX +0.50 (0.02)</small> <small>.XXX:0.025 (0.001) ±1°</small> <small>DO NOT SCALE DRAWING</small>	MATERIAL SILICONE RUBBER 60°		TIANER TECHNOLOGY CO., LTD. http://www.itianer.com		
	FINISH BLACK		TITLE Mylar Speaker		
	DWN BY	DATE	UNIT mm	DWG NO/ PART NO TE-DM32A-8H5.5	REV 01
	CHK BY	DATE	SCALE 5:1	RELEASE DATE 2009/12/23	SHEET
THIRD ANGLE PROJEC TION	DESIGN J.M.	DATE 09/08/22			

1

2

3

4

5

6

7

8